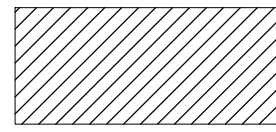
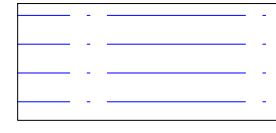



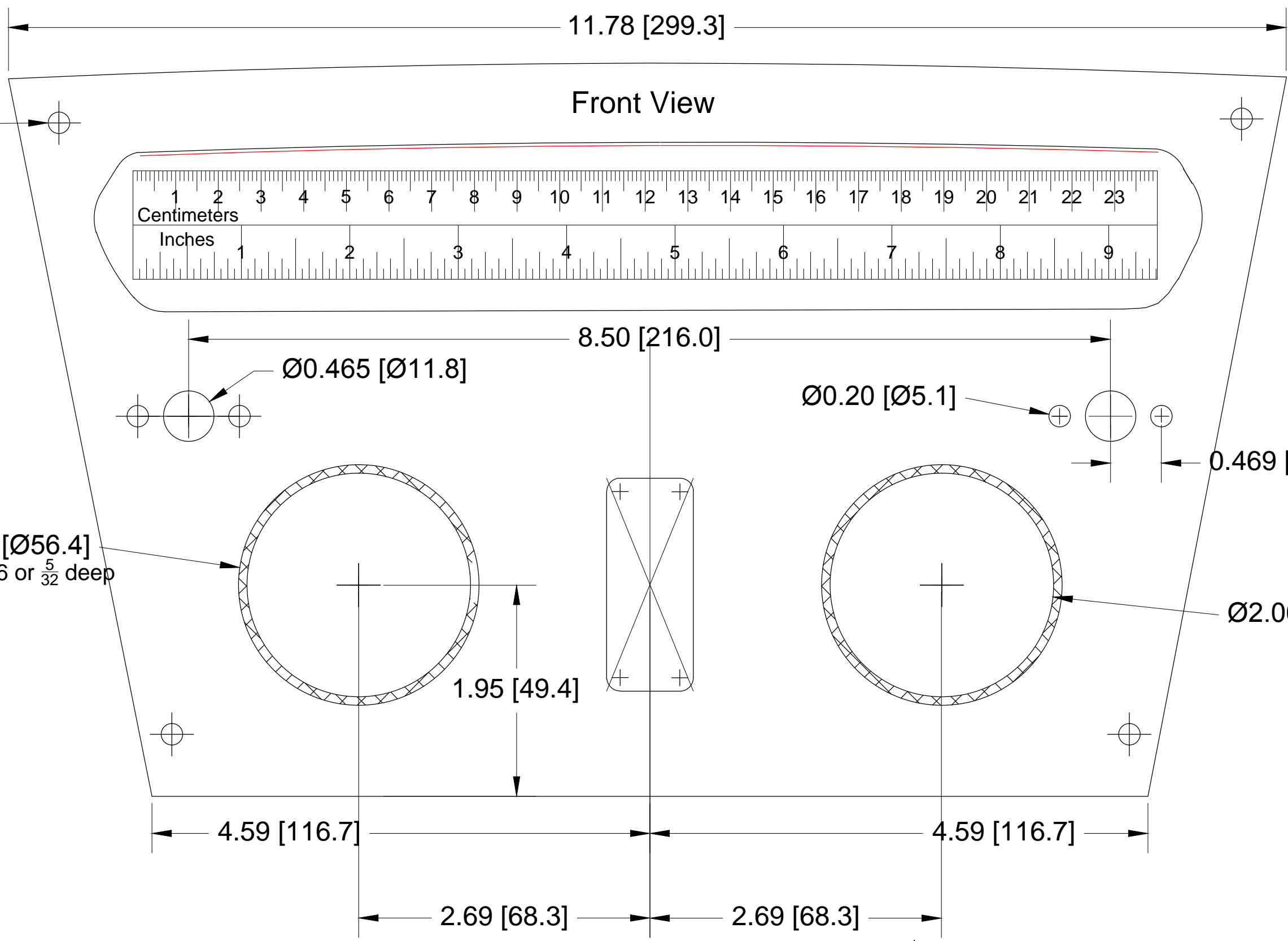
 Route This Area .125 deep on rear \*

 Route This Area .3125 deep on rear \*

\* To Suit Heater Control

 Some Switches may require routing this area .0625 to .125 deep

 Note that there were two different sizes found, one approximately  $\frac{1}{32}$  or .030 inches smaller. Adjust for actual heater control bezel.



PROJECT: Spitfire Center Dash		CLIENT NAME and ADDRESS:	
AUTHOR Wayne Rosberg	DATE 3/26/2014	Wayne Rosberg 98 Sunny Acres Road Jeffersonville, Vermont 05464	
Revision/Issue	DATE	SIZE C	SHEET NAME Triumph Spitfire Center Dash
© CCTS 2014		SCALE 1:1	SHEET NO.
Unauthorized reproduction prohibited		REV	